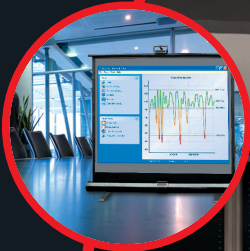


Projection Screens

reflecta®



The right projection screen for your specific purpose



THE ENTIRE UNIVERSE OF PROJECTION SCREENS
PROJECTION SCREENS BY REFLECTA



Ultra-portable table screen

Projection screen to be set up fast and easily. Particularly suitable for flexible and fast projections in the office or for a fast viewing at home.

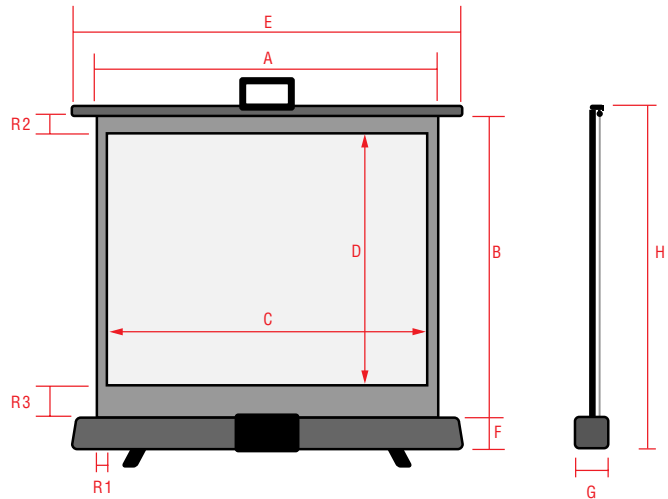
Product details:

- Mobile and immediately at disposal.
- Fast and simple setting up.
- Sturdy casing to protect against dust and dirt.
- Fold-out legs for a secure stand.
- Ideal for a small group of viewers



Ultra-portable table screen – Technical data (all dimensions in cm)

Ref. no.	Type	Fabric	Format	A	B	C	D	R1	R2	R3	E	F	G	H	Weight
40761	Table screen	GammaLux	4:3	87	77	81	61	3	1	15	96	8	6	95	3 kg



Fold-out legs



Compact design



Handle



Portable floor screen

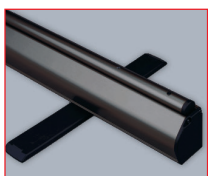
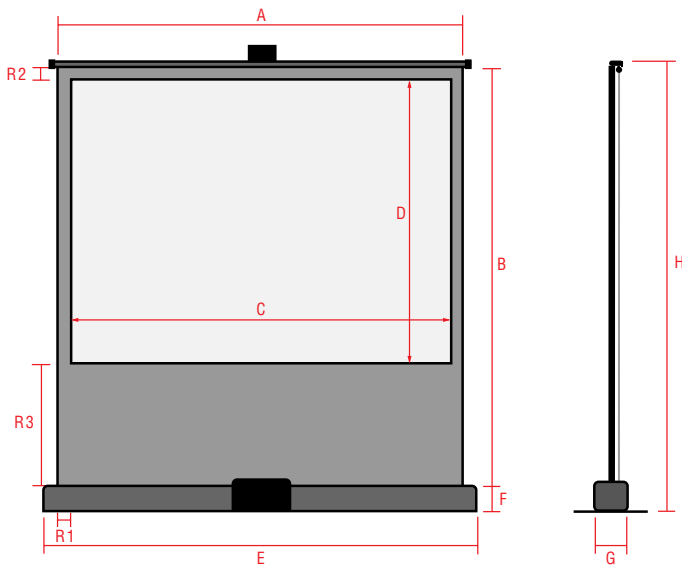
Stable, compact 4:3 mobile screen for a fast setting up on the floor or table. The screen is simply pulled out from the bottom casing and hooked to a mounting rod which was folded out beforehand. Can be adjusted to different heights. The screen has a 1.5 cm wide black border for clean masking and to increase the perceived contrast of the image. Fabric-based matte white projection screen with black rear side. Viewing angle is 160°.

Product details:

- Integrated carrying handle.
- Space-saving storing.
- Excellent image position.

Portable floor screen – Technical data (all dimensions in cm)

Ref. no.	Type	Fabric	Format	A	B	C	D	R1	R2	R3	E	F	G	H	Weight
40763	Portable floor screen	GammaLux	4:3	128	164	122	91	3	2,5	70	138	8	6	179	4,6
40765	Portable floor screen	GammaLux	4:3	178	211	171	128	3,5	2,5	80	187	8	6	226	6,2
40766	Portable floor screen	GammaLux	4:3	210	225	203	152	3,5	2,5	70	220	8	6	239	7,2



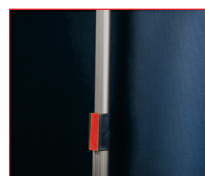
Fold-out legs



Handle



Retracted screen with fixed tripod tube



Lock head



There are detailed catalogues of our other products available. Ask for them – we will gladly send them to you.

- Projector and TV-Mounts
- Presentation technique
- Film and slide scanners
- Video lights



4 005039 722080

As part of our continued efforts to improve the quality of our products, we reserve the right to change our products without notification.
Art.-No. 72208, © reflecta Germany / Version 09/16

reflecta®

reflecta GmbH
Merkurstrasse 8
D-72184 Eutingen / Germany
Tel.: +49 (0)74 57/94 65 60
mail@reflecta.de
www.reflecta.de